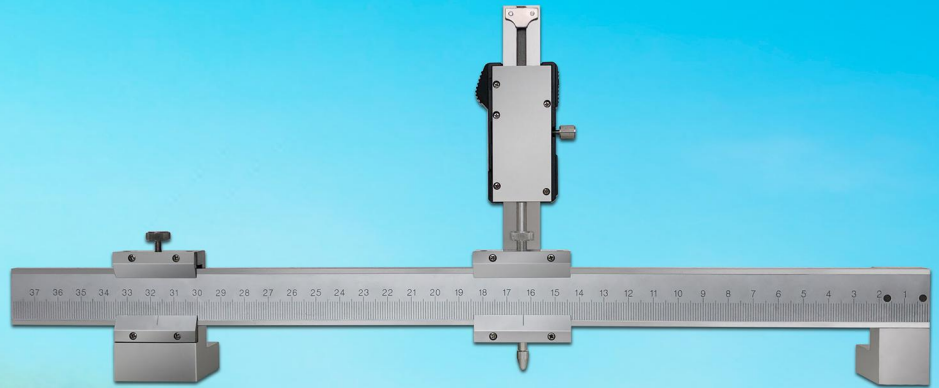




LIANJIE

LJ-CZM

Frog vertical wear gauge



Universal

Multifunctional

Easy operate



• **Introduction:**

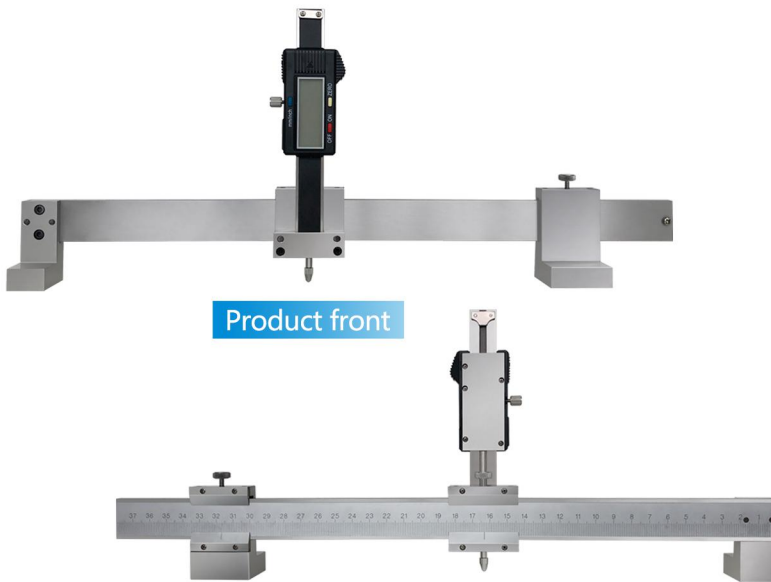
Frog vertical wear gauge is used to measure vertical wear value of frog point rail and wing rail at any sections. Also could be used for measure the decrease value of point rail relative to wing rail. It has the advantages of high measuring accuracy, easy to operate, high reliability, small volume, light weight ect.

LCD Digital display, Swith between metric and imperial unit at will ,that help easy to read.

Metric unit



Imperial unit



Product front

Product reverse

Package



Main Technical parameter :

Model	LJ-CZM
Type	Digital
Measure range	0-40mm
Main ruler scale	0mm ~ 380mm
Score value	0.01mm
Accuracy	1mm
Working temperature	-10°C ~ +40°C
Customize	yes

✉ info@xyljjd.com

🌐 <http://www.linkrailtech.com>

📍 Company Add: Sifu Technology Industrial Park No.1 Qilin Road, XiangCheng District ,XiangYang City, Hubei Province, China